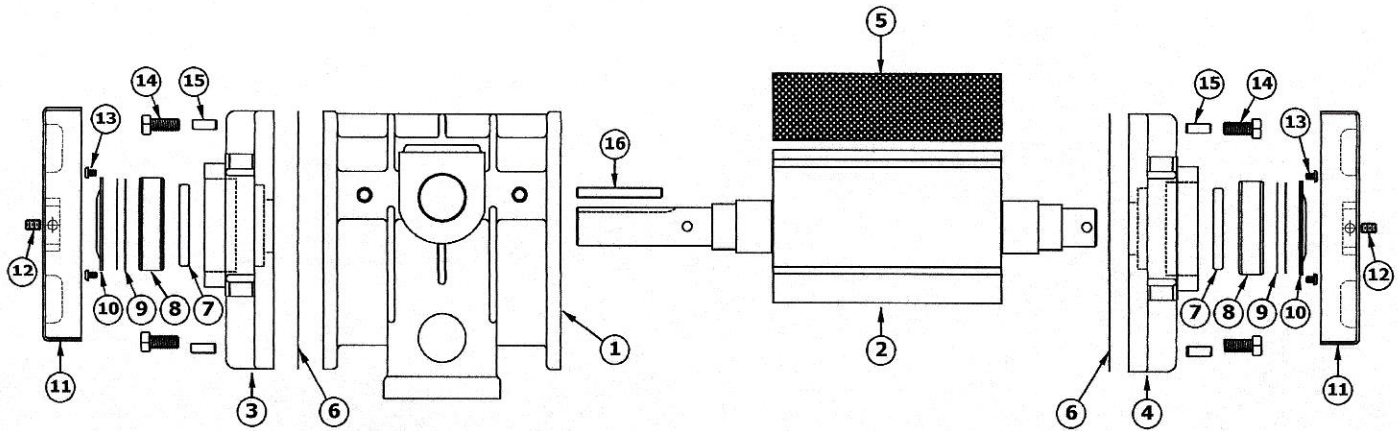




**MADE IN THE USA**

# Model 6 Vapor-Oil Pump

## OL06CWSF / OL06CCSF / OL06DF00



ITEM	QTY	PART NO.	DESCRIPTION
1	1	HS061492	MODEL 6 VAPOR-OIL HOUSING
2	1	RT06CW	MODEL 6 CLOCKWISE ROTOR
		RT06CC	MODEL 6 COUNTER-CLOCKWISE ROTOR
		RT06DF	MODEL 6 DOUBLE SHAFT ROTOR
3	1	PL06O-15B	MODEL 6 15B END PLATE (CW)
4	1	PL06O-16B	MODEL 6 16B END PLATE (CCW)
5	4	VN06FB91A	MODEL 6 V/O FIBER VANE
6	2	GSK03612	MODEL 3/6/12 HOUSING GASKET
7	2	SE0612	MODEL 6/12 SHAFT SEAL
8	2	BR066206A	MODEL 6 (6206) SEALED BEARING
9	1	BRS06	MODEL 6 BEARING SHIM (SET)
10	2	BRC06	MODEL 6 BEARING COVER
11	2	FN0612	MODEL 6/12 METAL FAN
12	2	FS25037	SET SCREW FOR METAL FAN
13	12	FS19025	MODEL 6 BEARING COVER SCREW
14	12	FS31075A	MODEL 6 HEX HEAD CAP SCREW
15	4	PIN2612	MODEL 6 DOWEL PIN
16	1	KEY06	MODEL 6 SHAFT KEY

**Westmoor Ltd.**  
 906 West Hamilton Ave  
 Sherrill, NY 13461

**PHONE: 800-367-0972**

**WEB: [www.westmoorltd.com](http://www.westmoorltd.com)**