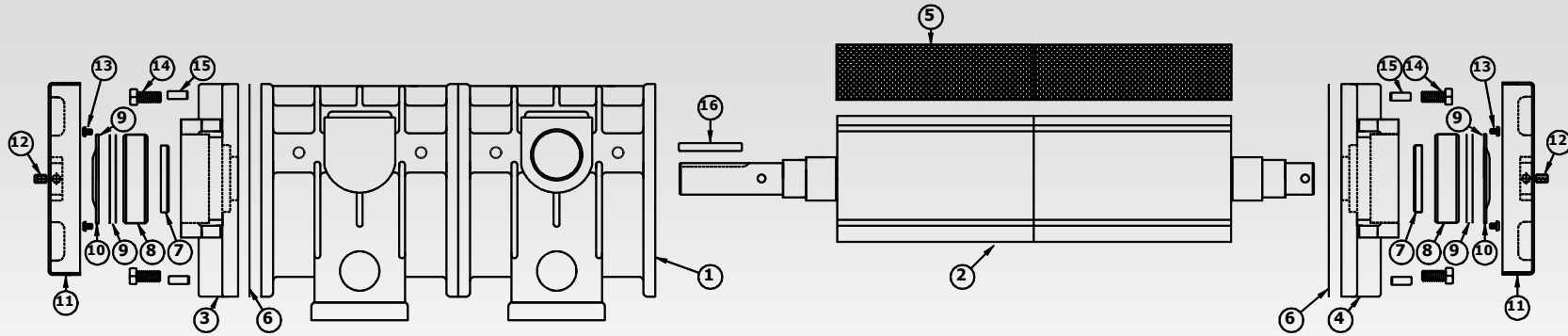




# Model 12 Vapor-Oil Pump (OL12CW00 / OL12CC00 / OL12DF00)



ITEM	QTY	PART NO.	DESCRIPTION
1	1	HS121493	MODEL 12 VAPOR-OIL HOUSING
2	1	RT12CW	MODEL 12 CLOCKWISE ROTOR
		RT12CC	MODEL 12 COUNTER - CLOCKWISE ROTOR
		RT12DF	MODEL 12 DOUBLE - SHAFT ROTOR
3	1	PL120-15B	MODEL 12 15B END PLATE (CW)
4	1	PL120-16B	MODEL 12 16B END PLATE (CCW)
5	8	VN06FB91A	MODEL 6/12 FIBER VANE
6	2	GSK03612	MODEL 3/6/12 HOUSING GASKET
7	2	SE0612	MODEL 6/12 SHAFT SEAL
8	2	BR126306C	MODEL 12 (6306) SEALED BEARING
9	1	BRS12	MODEL 12 BEARING SHIM (SET)
10	2	BRC12	MODEL 12 BEARING COVER
11	2	FN0612	MODEL 6/12 METAL FAN
12	2	FS25037	SET SCREW FOR METAL FAN
13	16	FS19025	MODEL 12 BEARING COVER SCREW
14	12	FS31075A	MODEL 3/6/12 HEX HEAD CAP SCREW
15	4	PIN3612	MODEL 3/6/12 DOWEL PIN
16	1	KEY06	MODEL 6/12 SHAFT KEY