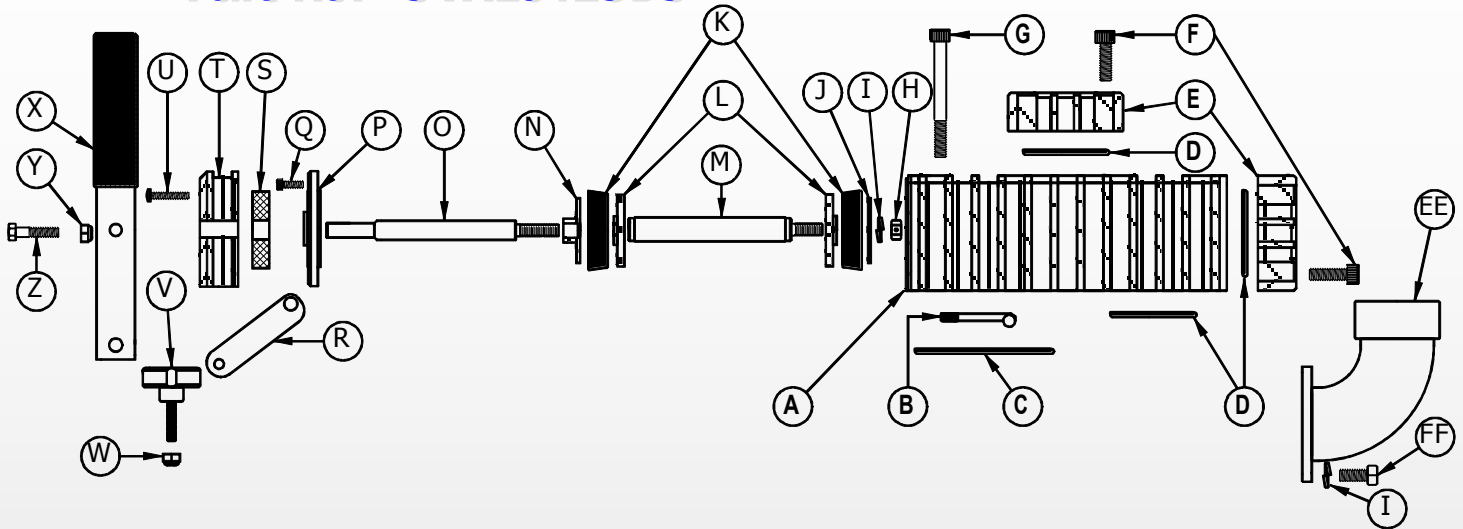


SDS - SLIDE VALVE ASSEMBLY

Part No. - SVAL612SDS



ITEM	QTY	PART NUMBER	DESCRIPTION
A	1	SV003SDS	#6 / 12 SDS ALUMINUM SLIDE VALVE BODY
B	1	SV012D	#6 / 12 SDS STAINLESS STEEL FLAPPER
C	1	OR237	#6 / 12 SDS (O-RING) LARGE
D	3	OR228	#6 / 12 SDS (O-RING) SMALL
E	2	SV048	#6 / 12 SDS (1-1/2" NPT) ADAPTOR BLOCK (1PC -OPTIONAL)
EE	1	SV048A	#6 / 12 SDS (1-1/2" NPT) 90 DEG. ADAPTOR ELBOW (OPTIONAL)
F	8	FSX31100B	5/16-18 X 1" LGTH S.S. SOCKET HEAD CAP SCREW (4PC -OPTIONAL)
FF	4	FS31075A	5/16-18 X 3/4" LGTH HEX HEAD CAP SCREW (OPTIONAL)
G	4	FSX31300	5/16-18 X 3" LGTH S.S. SOCKET HEAD HEAD CAP SCREW
H	1	FSN32	5/16-24 CENTER LOCK HEX NUT
I	5	FSW31068A	5/16" MED. LOCK WASHER (4PC -OPTIONAL)
J	1	SV006E	SDS SEAL CUP WASHER
K	2	SV006C	2" RUBBER SEAL CUPS
L	2	SV006G	SDS SEAL CUP HUB
M	1	SV001H	SDS INNER PLUNGER ROD
N	1	SV006F	SDS SEAL CUP OUTER WASHER W/ SPACER
O	1	SV001G	SDS OUTER PLUNGER ROD
P	1	SV002F	SDS MULTI HOLE END CAP W/ BRONZE BUSHING & SCREEN
Q	3	FS16050	8-32 X 1/2" LGTH SOCKET HEAD CAP SCREW
R	1	SV030G	SDS HANDLE LINK
S	1	SV002D	SDS FOAM FILTER ELEMENT - FOR MULTI HOLE END CAP
T	1	SV010	SDS S.V. BODY FRONT DEFLECTOR
U	2	FSX16100	8-32 X 1" LENGTH F.H. MACHINE SCREW
V	1	SV005C	POSITION LOCKING KNOB
W	1	FSN25D	1/4-20 HEX ESNA HEX NUT (THIN)
X	1	SV030C	SLIDE VALVE POSITIONING HANDLE
Y	1	FSN25	1/4-20 HEX ESNA HEX NUT
Z	1	FS25100A	1/4-20 X 1" LGTH HEX HEAD CAP SCREW