

* **Versatile Shaft Designs**

Clockwise, Counter Clockwise or Double Shaft to fit any installation need.

* **Automatic Oiling System**

Conde Wick automatic oilers require no adjustment or maintenance. Simply add oil.

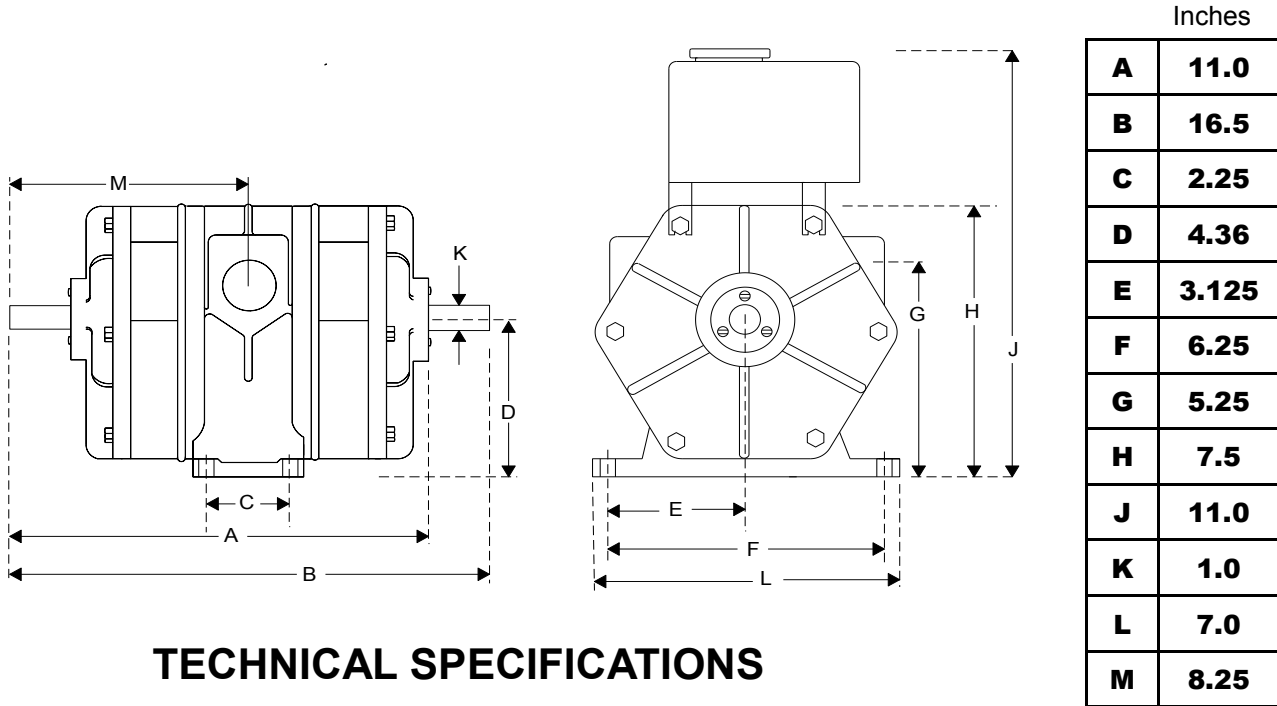
* **Provides Pulse Free Air For Vacuum In Harsh Or Wet Environments**

* **Available In A Variety Of Pump/Motor Packages To Tailor Your Air Flow Needs With Horsepower Requirements**

* **Units Complete With Relief Valve, Check Valve and Oil Catch Muffler**

* **Ideal For Vacuum Applications Up To 20" Hg Continuous Operation, Or Up To 24" Hg Intermittent**

DIMENSIONAL SPECIFICATIONS



TECHNICAL SPECIFICATIONS

* **MAXIMUM AIR FLOW (Vac.)**
40 Cubic Feet per minute @ free air

* **MAXIMUM VACUUM**
27" Hg (.90 bar) intermittent

* **SPEED RANGE**
1100 RPM TO 1750 RPM

* **MAXIMUM PRESSURE**
20 PSI intermittent
(for continuous consult Westmoor, Ltd.)

* **LUBRICATION**
Conde Wick Automatic

* **WEIGHT**
64 lbs.

* **PORT SIZE**
1"

* **SHAFT DIAMETER**
1"

PERFORMANCE SPECIFICATIONS

Pump R.P.M.	Free Air C.F.M.	S.C.F.M. @ VACUUM				
		5	10	15	18	20
1200	29	22	17	13	9	8
1500	30	28	21	16	11	10
1750	38	131	25	17	13	11

Conde' Pumps

906 West Hamilton Avenue
Sherrill, New York 13461

Phone: 800-367-0972

Fax: 315-363-0193

Visit us on the world wide web at:

www.westmoorltd.com