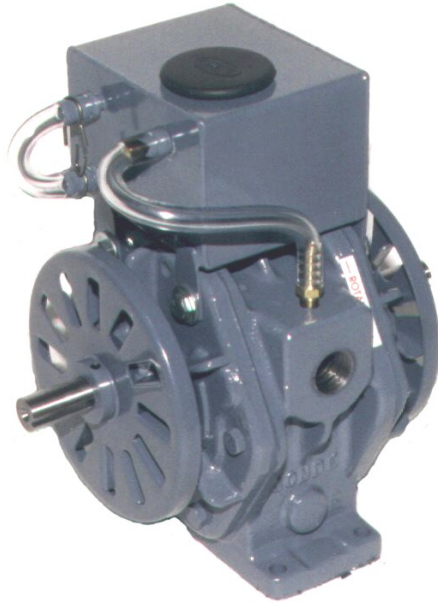




Model 2

Vapor Oil Vacuum Pump



* **Versatile Shaft Designs**

Clockwise, Counter Clockwise or Double Shaft to fit any installation need.

* **Automatic Oiling System**

Conde Wick automatic oilers require no adjustment or maintenance. Simply add oil.

* **Provides Pulse Free Air For Vacuum In Harsh Or Wet Environment**

* **Available In A Variety Of Pump/Motor Packages To Tailor Your Air Flow Needs With Horsepower Requirements**

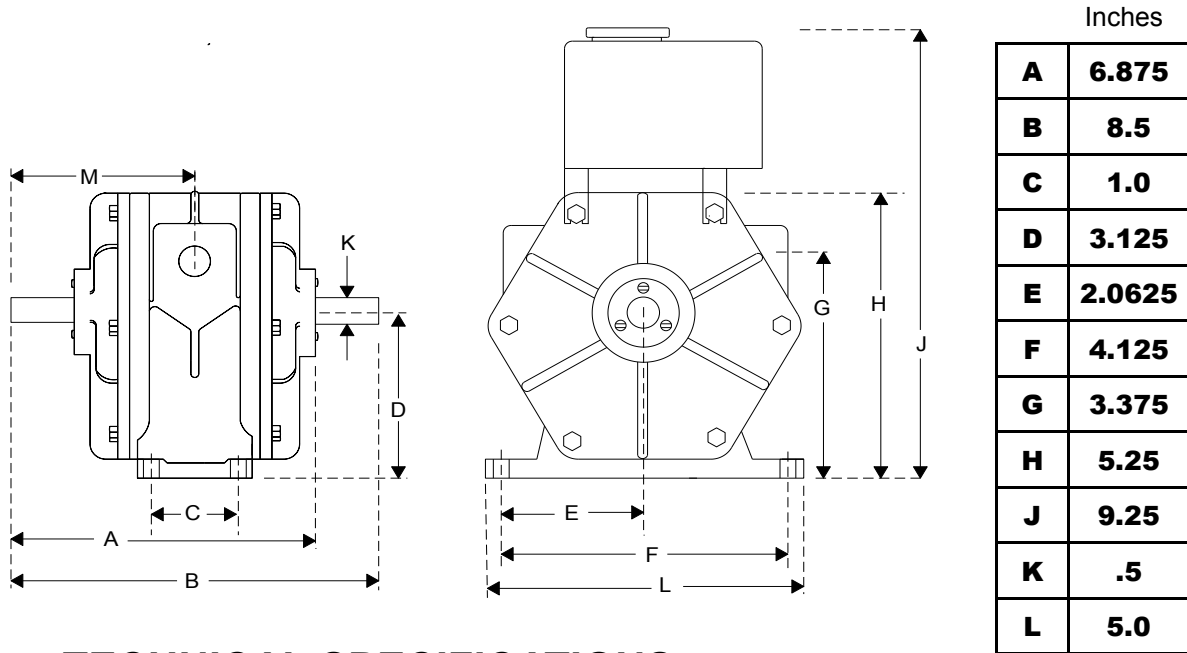
* **Units Complete With Relief Valve, Check Valve And Oil Catch Muffler**

* **Ideal For Vacuum Applications Up To 20" Hg Continuous Operation, Or Up To 24" Hg Intermittent**

* **No maintenance Sealed Bearings.**

* **Conde Quality Construction**

DIMENSIONAL SPECIFICATIONS



TECHNICAL SPECIFICATIONS

- * **MAXIMUM AIR FLOW (Vac.)**
7 Cubic Feet per minute @ free air
- * **MAXIMUM VACUUM**
24" Hg (.90 bar) intermittent
- * **SPEED RANGE**
1100 RPM TO 1750 RPM
- * **MAXIMUM PRESSURE**
15 PSI intermittent
10 PSI continuous
- * **LUBRICATION**
Conde Wick Automatic
- * **WEIGHT**
15 lbs.
- * **PORT SIZE**
1/2"
- * **SHAFT DIAMETER**
1/2"

PERFORMANCE SPECIFICATIONS

Pump R.P.M.	Free Air C.F.M.	S.C.F.M. @ VACUUM				
		5	10	15	18	20
1200	4.8	3.5	2.6	1.5	1.0	.5
1500	6.0	4.5	3.5	2.5	2.0	1.5
1750	7.0	5.1	4.0	3.5	2.1	1.7

Conde' Pumps

906 West Hamilton Avenue
Sherrill, New York 13461

Phone: 800-367-0972

Fax: 315-363-0193

Visit us on the world wide web at:

www.westmoorltd.com