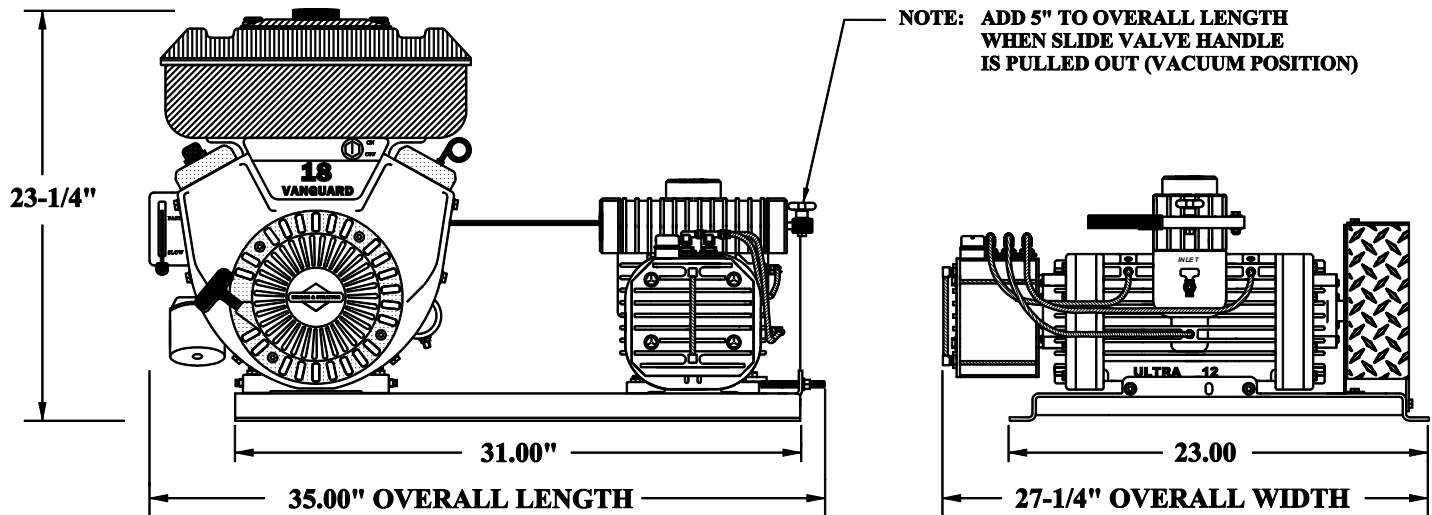


# 12 ULTRA - 18 HP UNIT



## DIMENSIONAL SPECIFICATIONS



PART NO.	OLUN12SDSULT18	HDUN12SDSULT18
CFM, FA DISPLACEMENT	230	230
CFM @ 15" HG	94	94
HORSEPOWER	18	18
BRIGGS& STRATTON	ELECTRIC START	ELECTRIC START
VACUUM/PRESSURE	NO	YES
VACUUM ONLY	YES	NO
MAXIMUM VACUUM	27" HG	27" HG
MAXIMUM PRESSURE*	15 PSIG	15 PSIG
WEIGHT	340	347
OILER	AUTOMATIC	AUTOMATIC

\* CONDE PUMPS RECOMMENDS THAT PRESSURES ON TANK SYSTEMS DO NOT EXCEED 10 PSI.  
 A PRESSURE RELIEF VALVE IS REQUIRED (SET NOT TO EXCEED 10 PSI).  
 PRESSURE VENT ON PUMP WILL RELIEF TANK PRESSURE WHEN UNIT IS OFF.

### PERFORMANCE SPECIFICATIONS

TANK SIZE	#12 SDS ULTRA, 18 HP
500 GALLONS	12 SECONDS
750 GALLONS	18 SECONDS
1000 GALLONS	24 SECONDS
1500 GALLONS	36 SECONDS
2000 GALLONS	47 SECONDS

### CONDE' PUMPS

WESTMOOR LTD  
 906 WEST HAMILTON AVE  
 SHERRILL, NEW YORK 13461

PHONE: 800-367-0972, 315-363-1500  
 FAX: 315-363-0193  
 E-MAIL: pumps@westmoorltd.com