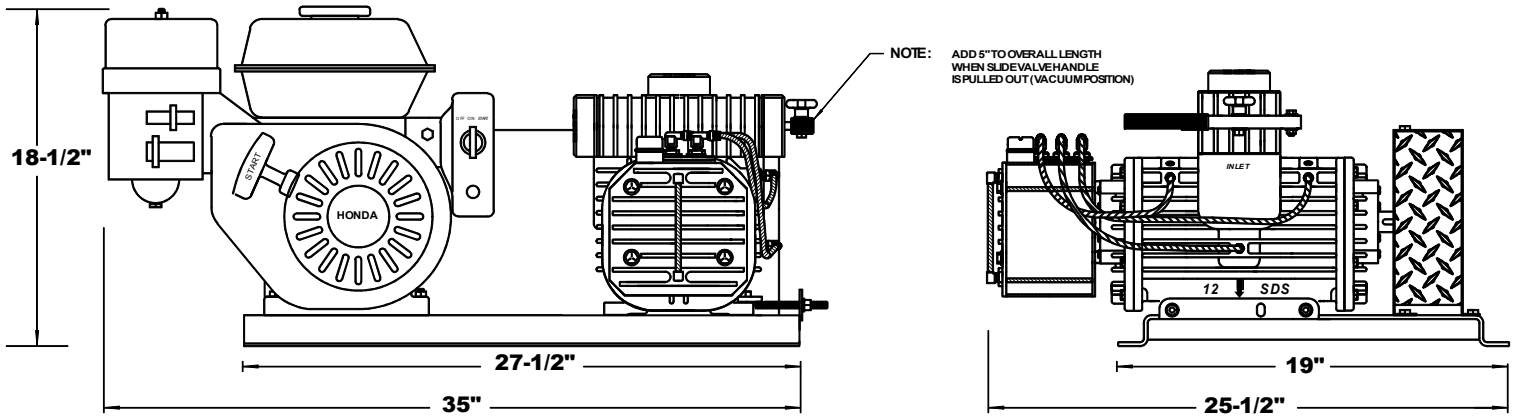


## DIMENSIONAL SPECIFICATIONS



## TECHNICAL SPECIFICATIONS

Part No:	OLUN12SDS13E	HDUN12SDS13E
CFM, FREE AIR	180	180
CFM, @ 15" Hg	90	90
HORSE POWER	GX390 - 13 HP	GX390 - 13 HP
HONDA EL. START	YES	YES
VACUUM/PRESSURE	NO	YES
VACUUM - ONLY	YES	NO
MAXIMUM VACUUM	27" Hg	27" Hg
MAXIMUM PRESSURE	15 PSIG	15 PSIG
OILER	AUTOMATIC	AUTOMATIC
WEIGHT	270 Lbs	275 Lbs

\*\* Conde Pumps recommends that pressures on tank systems do not exceed 10 psi. Unit pressure relief vents are set at 5 to 10 psig. Pressure vents will relieve tank pressure when unit is shut off. For higher pressures consult factory.

## PERFORMANCE SPECIFICATIONS

### Tank Pull Down Time to 15" Hg

TANK SIZE	SDS 12 UNIT
500 GALLON	14 SECONDS
750 GALLON	21 SECONDS
1000 GALLON	28 SECONDS
1500 GALLON	42 SECONDS
2000 GALLON	56 SECONDS



**Westmoor Ltd.**  
**906 West Hamilton Ave**  
**Sherrill, New York 13461**  
**Phone: 800-367-0972**