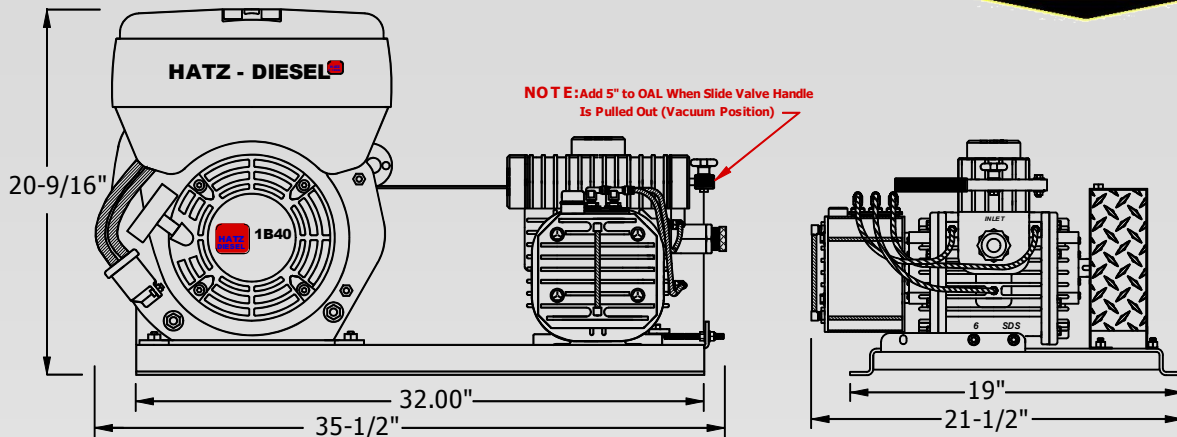


# SDS 6 DIESEL UNIT



Vacuum Technology

## DIMENSIONAL SPECIFICATIONS



## TECHNICAL SPECIFICATIONS

Part No:	OLUN06SDS10DI	HDUN06SDS10DI
CFM, FREE AIR	115	115
CFM, @ 15" Hg	55	55
HATZ 1B40 DIESEL	ELECTRIC START	ELECTRIC START
HORSEPOWER	9.9 @ 3600 RPM	9.9 @ 3600 RPM
VACUUM/PRESSURE	NO	YES
VACUUM - ONLY	YES	NO
MAXIMUM VACUUM	27" Hg	27" Hg
MAXIMUM PRESSURE	15 PSIG	15 PSIG
OILER	AUTOMATIC	AUTOMATIC
WEIGHT	255 LBS.	265 LBS.

\*\* Conde Pumps recommends that pressures on tank systems do not exceed 10 psi. Unit pressure relief vents are set at 5 to 10 psig. Pressure vents will relieve tank pressure when unit is shut off. For higher pressures consult factory.

## PERFORMANCE SPECIFICATIONS

Tank Pull Down Time to 15" Hg

TANK SIZE	SDS 6 UNIT
500 GALLON	23 SECONDS
750 GALLON	35 SECONDS
1000 GALLON	47 SECONDS
1500 GALLON	70 SECONDS
2000 GALLON	93 SECONDS

**WESTMOOR LTD.**  
**906 WEST HAMILTON AVE**  
**SHERRILL, NEW YORK 13461**



**MANUFACTURERS OF CONDE PUMPS AND EQUIPMENT**

**PHONE: 800-367-0972**

**WEB: WWW.WESTMOORLTD.COM**

**FAX: 315-363-0193**