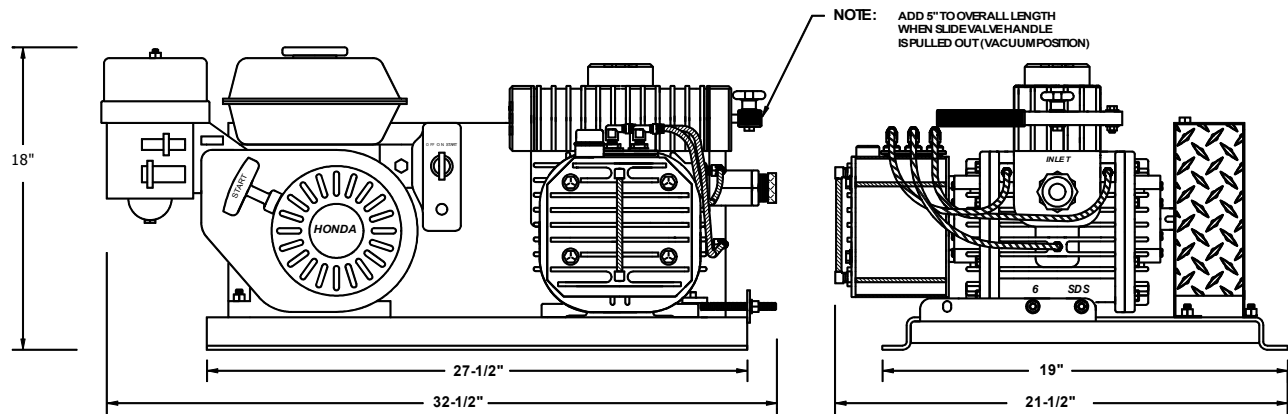


DIMENSIONAL SPECIFICATIONS



TECHNICAL SPECIFICATIONS

Part No:	OLUN06SDS09ES	HDUN06SDS09ES
CFM, FREE AIR	115	115
CFM, @ 15" Hg	55	55
HORSE POWER	GX270 - 9.0	GX270 - 9.0
HONDA EL. START	YES	YES
VACUUM/PRESSURE	NO	YES
VACUUM - ONLY	YES	NO
MAXIMUM VACUUM	27" Hg	27" Hg
MAXIMUM PRESSURE	15 PSIG	15 PSIG
OILER	AUTOMATIC	AUTOMATIC
WEIGHT	220 LBS.	230 LBS.

** Conde Pumps recommends that pressures on tank systems do not exceed 10 psi. Unit pressure relief vents are set at 5 to 10 psig. Pressure vents will relieve tank pressure when unit is shut off. For higher pressures consult factory.

PERFORMANCE SPECIFICATIONS

Tank Pull Down Time to 15" Hg

TANK SIZE	SDS 6 UNIT
500 GALLON	23 SECONDS
750 GALLON	35 SECONDS
1000 GALLON	47 SECONDS
1500 GALLON	70 SECONDS
2000 GALLON	93 SECONDS



Westmoor Ltd.

**906 West Hamilton Ave
Sherrill, New York 13461**

Phone: 800-367-0972