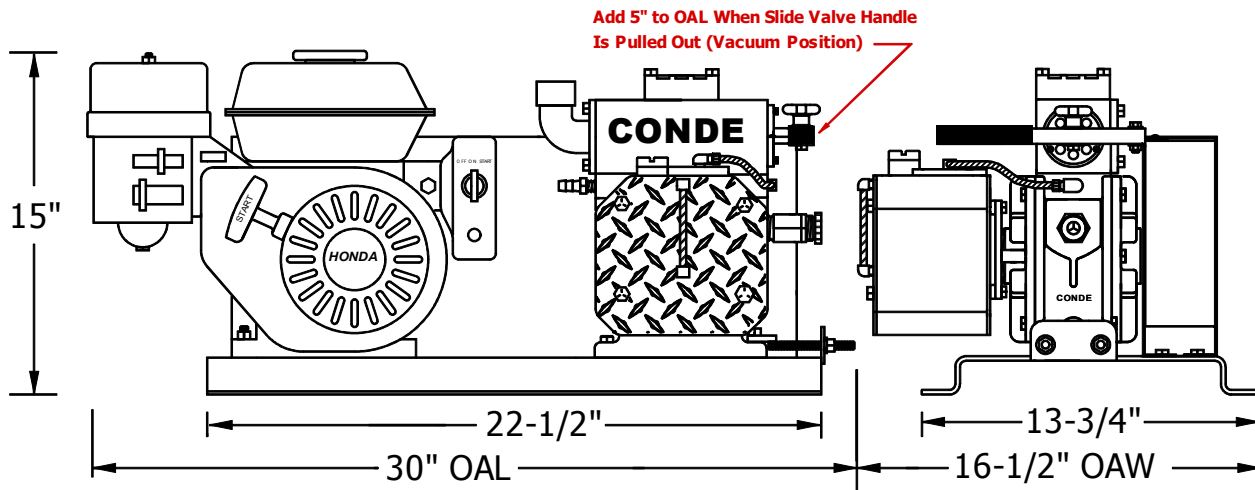


ProVac 3 - GX160 HONDA ELECTRIC START



DIMENSIONAL SPECIFICATIONS



TECHNICAL SPECIFICATIONS

Part No.	OLUN03PV05ES	HDLUN03PV05ES
CFM, Free Air	35	35
CFM, 15" Hg	17	17
Honda El. Start	Electric Start	Electric Start
Displacement	163 cm ³	163 cm ³
Vacuum/Pressure	No	Yes
Vacuum Only	Yes	No
Max. Vacuum	27" HG	27" HG
Max. Pressure *	15 PSIG	15 PSIG
Oiler	Automatic	Automatic
Weight	130 LBS	135 LBS

* Conde Pumps recommends that pressures on tank systems do not exceed 10 PSIG. A Pressure Relief Valve is required set @ 5 to 10 PSIG. On HD models equipped with pressure vent, tank pressure will relieve when unit is shut off.

PERFORMANCE SPECIFICATIONS

TANK PULL DOWN TIME TO 15" HG

TANK SIZE	PROVAC UNIT
100 GALLON	20 SECONDS
150 GALLON	30 SECONDS
200 GALLON	40 SECONDS
300 GALLON	50 SECONDS

WESTMOOR LTD.
906 WEST HAMILTON AVE
SHERRILL, NY 13461

Phone: 800-367-0972, 315-363-0193

Fax: 315-363-0193

E-mail: pumps@westmoorltd.com

MANUFACTURERS OF



VACUUM TECHNOLOGY