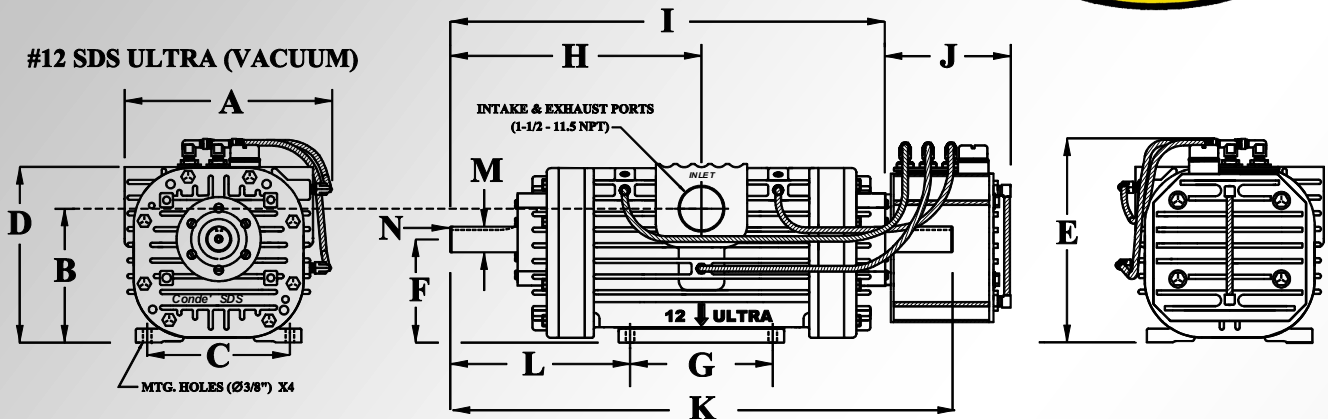


SDS ULTRA

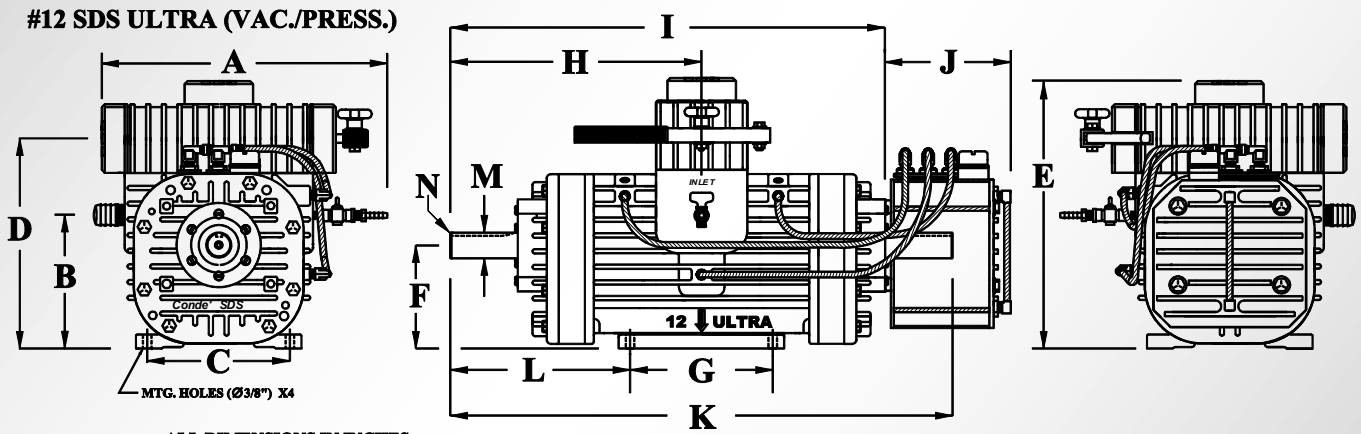
DIMENSIONAL SPECIFICATIONS



ALL DIMENSIONS IN INCHES

| A | B | C | D | E | F | G | H | I | J | K | L | M | N |
|-------|-------|-------|---|-------|--------|-------|----|----|-------|----|-------|-------|------------|
| 8-7/8 | 5-7/8 | 6-1/4 | 8 | 9-1/4 | 4-9/16 | 6-1/4 | 11 | 19 | 5-1/2 | 22 | 7-7/8 | 1-1/8 | 1/4 KEY |

01/2000



ALL DIMENSIONS IN INCHES

| A | B | C | D | E | F | G | H | I | J | K | L | M | N |
|--------|-------|-------|-------|--------|--------|-------|----|----|-------|----|-------|-------|------------|
| 12-5/8 | 6-1/4 | 6-1/4 | 9-1/4 | 11-3/4 | 4-9/16 | 6-1/4 | 11 | 19 | 5-1/2 | 22 | 7-7/8 | 1-1/8 | 1/4 KEY |

01/2000

PERFORMANCE DATA

| PUMP RPM | DISPLACEMENT CFM | SCFM & ACFM @ VACUUM | | | | | |
|-------------|---------------------|----------------------|-----|-----|-----|-----|-----|
| | | 5 | 10 | 15 | 18 | 20 | |
| 1500 | 230 | SCFM | 165 | 129 | 94 | 72 | 56 |
| | | ACFM | 198 | 193 | 188 | 180 | 167 |
| 1200 | 185 | SCFM | 135 | 106 | 76 | 59 | 46 |
| | | ACFM | 163 | 159 | 152 | 148 | 140 |

| PUMP RPM | DISPLACEMENT CFM | SCFM @ PSIG | | | |
|-------------|---------------------|-------------|-----|-----|-----|
| | | 5 | 10 | 15 | |
| 1500 | 230 | SCFM | 194 | 188 | 178 |

| | |
|-----------------------------|--|
| SPEED RANGE | 1100 THRU 1500 RPM |
| MAXIMUM VACUUM | 28" HG INTERMITTENT 20" HG CONTINUOUS |
| LUBRICATION | CONDE AUTOMATIC |
| PORT CONNECTION | 1-1/2-11.5 NPT |
| SHAFT DIAMETER | 1-1/8" |
| WEIGHT (VACUUM) | 145 LBS |
| WEIGHT (VAC./PRESS.) | 152 LBS |

WESTMOOR LTD.
906 WEST HAMILTON AVE
SHERRILL, NY 13461



PHONE: 800-367-0972
WWW.WESTMOORLTD.COM