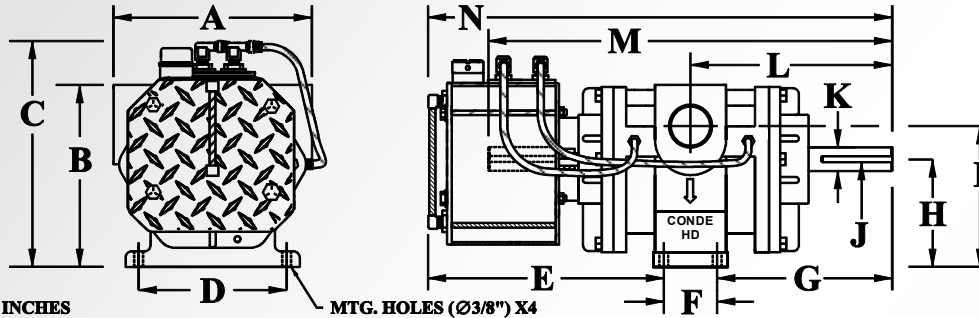




# SUPER 6

## DIMENSIONAL SPECIFICATIONS

### #6 SUPER (VACUUM)

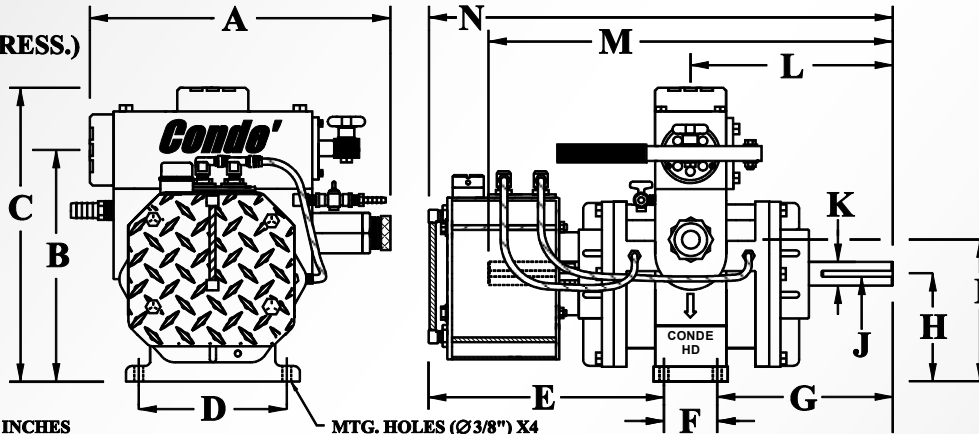


ALL DIMENSIONS IN INCHES

MTG. HOLES (Ø3/8") X4

A	B	C	D	E	F	G	H	I	J	K	L	M	N
8	7-5/8	8-7/8	6-1/4	9-3/4	2-1/4	7-1/8	4-9/16	5-15/16	1/4 key	Ø 1	8-1/4	16-1/2	19-1/8

### #6 SUPER (VAC./PRESS.)



ALL DIMENSIONS IN INCHES

MTG. HOLES (Ø3/8") X4

A	B	C	D	E	F	G	H	I	J	K	L	M	N
13	9-1/8	12	6-1/4	9-3/4	2-1/4	7-1/8	4-9/16	5-15/16	1/4 key	Ø 1	8-1/4	16-1/2	19-1/8

## PERFORMANCE DATA

PUMP RPM	DISPLACEMENT		SCFM @ VACUUM				
	CFM		5	10	15	18	20
1200	48		36	32	27	21	15
1500	60		45	39	34	27	18
1750	70		52	46	40	31	21

PUMP RPM	DISPLACEMENT		SCFM @ PRESSURE				
	CFM		2	4	8	12	15
1200	48		47	47	46	46	45
1500	60		59	59	58	57	57
1750	70		69	68	67	67	66

SPEED RANGE	1100 THRU 1750 RPM
MAXIMUM VACUUM	27" HG INTERMITTENT 20" HG CONTINUOUS
LUBRICATION	CONDE AUTOMATIC
PORT CONNECTION	1-1/4 - 11.5 NPT
SHAFT DIAMETER	1.0"
WEIGHT (VACUUM)	70 LBS
WEIGHT (VAC./PRESS.)	75 LBS

**WESTMOOR LTD.**  
**906 WEST HAMILTON AVE**  
**SHERRILL, NY 13461**

**PHONE: 800-367-0972**  
**WWW.WESTMOORLTD.COM**