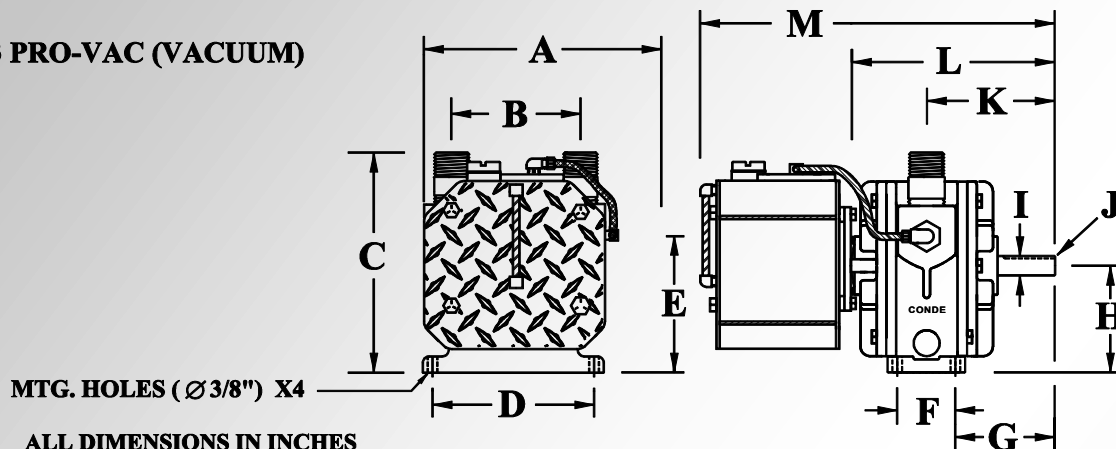




# PROVAC 3

## DIMENSIONAL SPECIFICATIONS

#3 PRO-VAC (VACUUM)

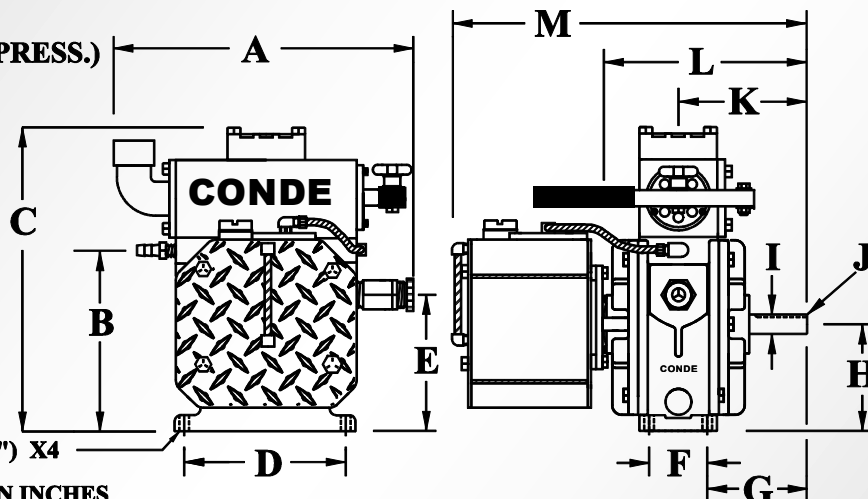


MTG. HOLES ( $\varnothing 3/8"$ ) X4

ALL DIMENSIONS IN INCHES

A	B	C	D	E	F	G	H	I	J	K	L	M
9-1/4	4-1/4	9	6-1/4	5-1/4	2-1/4	3-27/32	4-3/8	$\varnothing 3/4$	3/16 KEY	4-31/32	7-7/8	13-1/8

#3 PRO-VAC (VAC./PRESS.)



MTG. HOLES ( $\varnothing 3/8"$ ) X4

ALL DIMENSIONS IN INCHES

A	B	C	D	E	F	G	H	I	J	K	L	M
11-1/2	7-1/16	12-1/4	6-1/4	5-1/4	2-1/4	3-27/32	4-3/8	$\varnothing 3/4$	3/16 KEY	4-31/32	7-7/8	13-1/8

## PERFORMANCE DATA

PUMP RPM	DISPLACEMENT CFM	SCFM @ VACUUM				
		5	10	15	18	20
1725	35	26	22	17	14	12
1500	30	23	19	14	12	10
1200	24	18	15	12	10	8

SPEED RANGE	1100 THRU 1725 RPM
MAX. VACUUM	27" HG INTERM. 20" HG CONT.
LUBRICATION	CONDE AUTOMATIC
CONNECTION	1" - 1.5 NPT
SHAFT DIA.	3/4"
WEIGHT	38 LBS (VACUUM) 53 LBS (VAC./PRESS.)

**WESTMOOR LTD.**  
**906 WEST HAMILTON AVE**  
**SHERRILL, NY 13461**

**PHONE: 800-367-0972**  
**WWW.WESTMOORLTD.COM**

