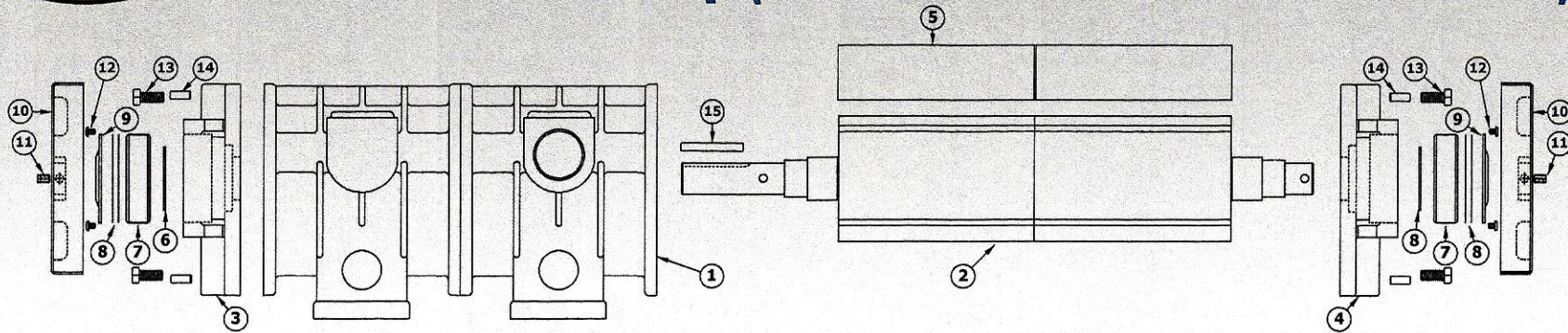




# Model 12 Dri-Air Pump (DA12CW00 / DA12CC00 / DA12DF00)



ITEM	QTY	PART NO.	DESCRIPTION
1	1	HS121490	MODEL 12 DRI-AIR HOUSING
2	1	RT12CW	MODEL 12 CLOCKWISE ROTOR
		RT12CC	MODEL 12 COUNTER - CLOCKWISE ROTOR
		RT12DF	MODEL 12 DOUBLE - SHAFT ROTOR
3	1	PL120-15B	MODEL 12 15B END PLATE (CW)
4	1	PL120-16B	MODEL 12 16B END PLATE (CCW)
5	8	VN06CB90	MODEL 6/12 CARBON VANE
6	2	SL0612	MODEL 6/12 SHAFT SLINGER
7	2	BR126306C	MODEL 12 (6306) SEALED BEARING
8	1	BRS12	MODEL 12 BEARING SHIM (SET)
9	2	BRC12	MODEL 12 BEARING COVER
10	2	FN0612	MODEL 6/12 METAL FAN
11	2	FS25037	SET SCREW FOR METAL FAN
12	16	FS19025	MODEL 12 BEARING COVER SCREW
13	12	FS31075A	MODEL 3/6/12 HEX HEAD CAP SCREW
14	4	PIN3612	MODEL 3/6/12 DOWEL PIN
15	1	KEY06	MODEL 6/12 SHAFT KEY