

Accessories for the Conde ProVac 3



Item #2
Oil Catch Muffler
PN: MFOCPV
\$159.00

Item #6
Plastic Pre-Filter
PN: LWTRPF02
\$67.00

Item #8
Plastic Moisture Trap
PN: LWTR02
\$67.00

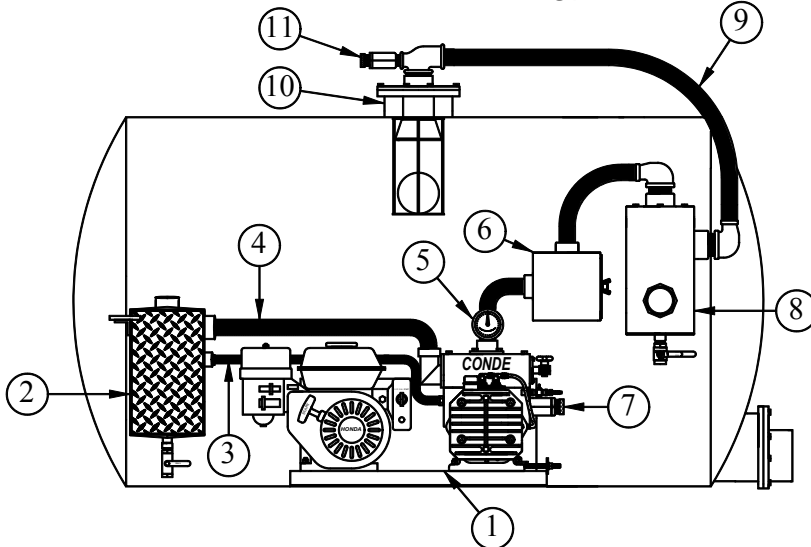
Item #10
Primary Shut-Off Steel
PN:LWTRPV3
\$135.00

Item #5, Vac/Press Gauge, PN:GAGE016, \$83.50

Item #7, Vacuum Relieve valve included with pump

Item # 11, Pressure Relief Valve, PN:RVP10P, \$46.00

TYPICAL TANK SET UP



- 1 - CONDE VACUUM / PRESSURE GAS UNIT
- 2 - OIL CATCH MUFFLER
- 3 - PRESSURE VENT HOSE
- 4 - PUMP EXHAUST HOSE
- 5 - LIQUID FILLED VACUUM/PRESSURE GAUGE
- 6 - S.S. PRE-FILTER
- 7 - VACUUM RELIEF VALVE
- 8 - S.S. SECONDARY TRAP
- 9 - VACUUM/PRESSURE RATED HOSE
- 10 - PRIMARY TRAP
- 11 - PRESSURE RELIEF VALVE



Save Money. Buy the complete accessory package including Primary Shut-Off, Oil Catch Muffler, Final Filter and Secondary Trap for \$415.00.00! PN:LWPKG2